

Post Top Lighting

YML-1PT34 Series

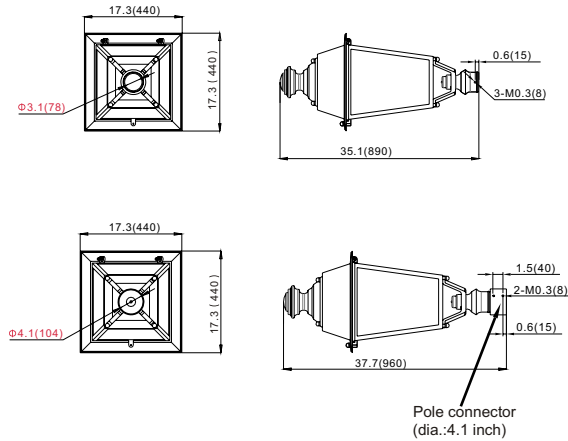


Applications

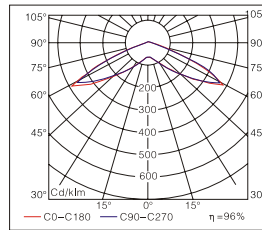
Parks, Shopping Malls, Courtyards, Historic Areas, etc.

- Structure: distinct design with retro appearance.
- LENS: high light transmittance PC lens with efficiency up to 93%-95%, anti-UV oxidation.
- Beam angle: 140°
- Lampshade: transparent PC, anti-UV
- Housing: die casting aluminum housing with excellent heat dissipation, surface treated with powder coated finish for corrosion and static resistance.
- Installation: pole mounting
- Input voltage: 100-277 VAC, 50/60 HZ
- IP class: IP 65

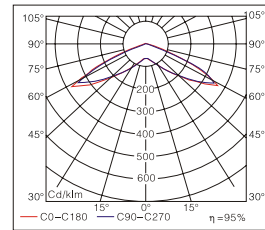
Dimension [Inch(mm)]



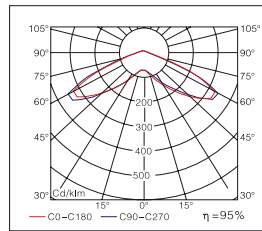
Distribution Curve Flux



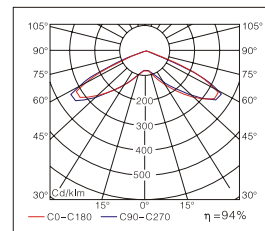
YML-1PT34-25-750



YML-1PT34-40-750



YML-1PT34-60-750



YML-1PT34-80-750

Ordering Information

Example: YML-1PT34-25-750-B-140-1

Company code	Voltage	Type	Power	Ra	Colour Temp.	Colour Options	Optic	Options
YML	1	PT 34	25 (25W 2900Lumens)	7	27	B Black (standard) C Coffee S Silver	140	1 0~10V dimming 2 Timing dimming 3 Occupancy sensor (dimming control/ on off control) 4 Photocell 5 Wireless
	2		25P(25W 3300Lumens)	70	2700K		140°	
	3		40 (40W 4400Lumens)	80	3000K			
	4		60 (60W 6750Lumens)	80	4000K			
	5		80P(80W 10000Lumens)	90	5000K			
	347~480VAC		100 (100W 11600Lumens)		5700K			
					65			
					6500K			